

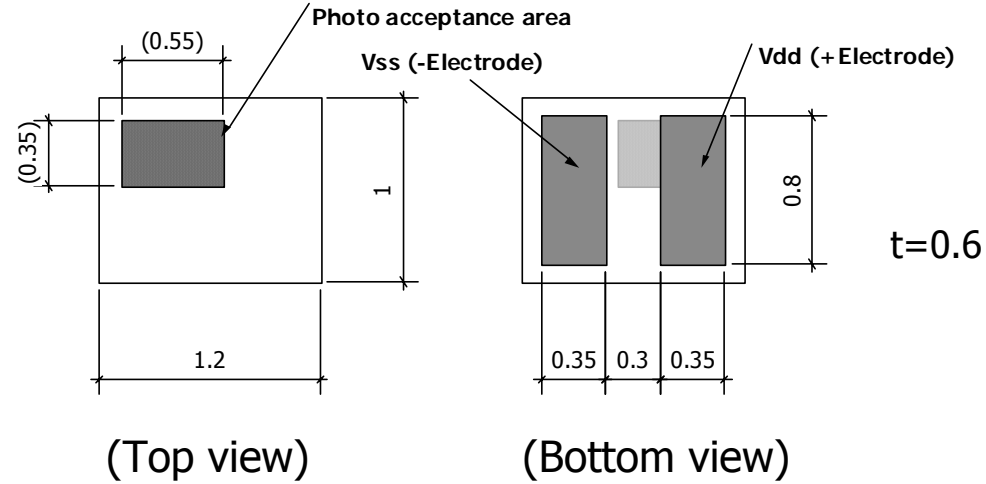


# Optical Sensors [BCS series]

**TDK CONFIDENTIAL**

## BCS1210A1L

Shapes and dimension  
Glass Substrate



### Electrical Characteristic

Temperature= 25deg.C

Item	Value			
	Units	Min.	Typ.	Max.
Light current      100Lux*1      VDD=3V	μA	2.3	3.0	3.7
Operation voltage (VDD)	V	0.7		3.0
Dark current      VDD=3V	nA			4

\*1 White Fluor Light (color temperature=4200K)

### Absolute Maximum Ratings

Item	Value	
	Units	
Operation voltage	V	+5
Reverse voltage	V	-1

### Optical Characteristic

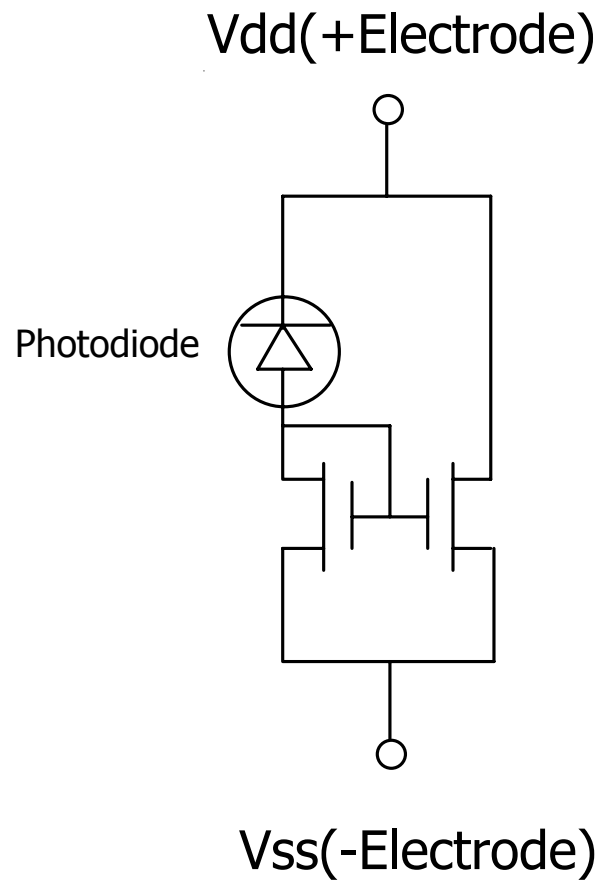
Item	Value	
	Units	
Spectral sensivity area	nm	350 to 750
Peak of sensivity	nm	580+-20



# Optical Sensors [BCS series]

## BCS1210A1L Equivalent circuit

TDK CONFIDENTIAL



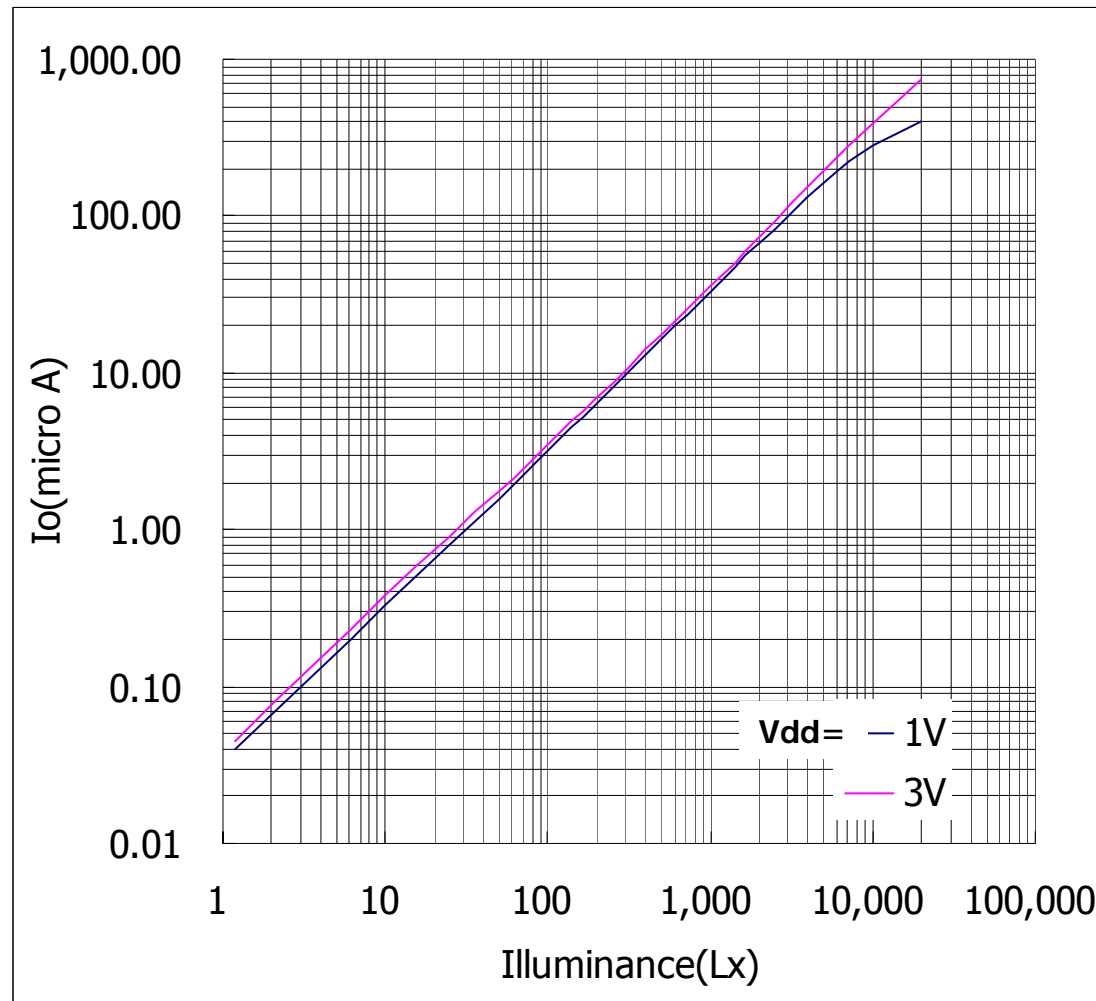
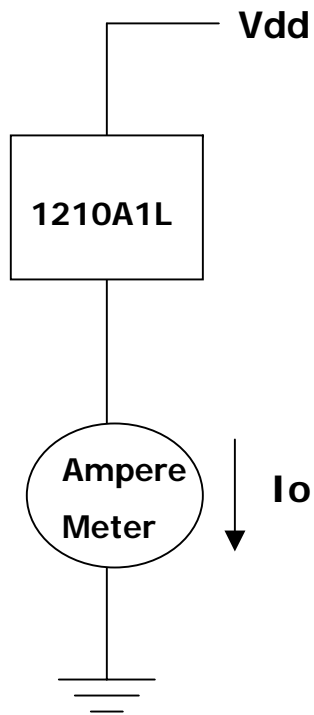


# Optical Sensors [BCS series]

## BCS1210A1L: Output characteristic (Current output)

TDK CONFIDENTIAL

Measured circuit



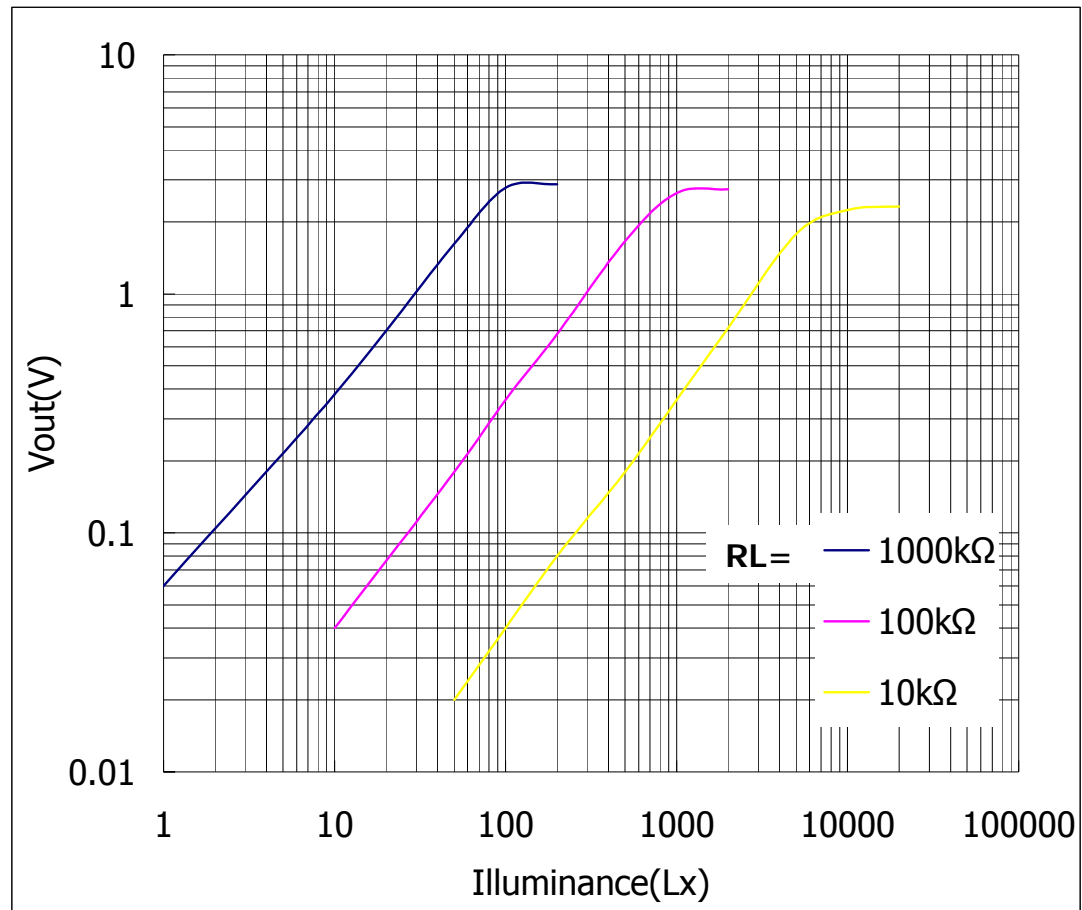
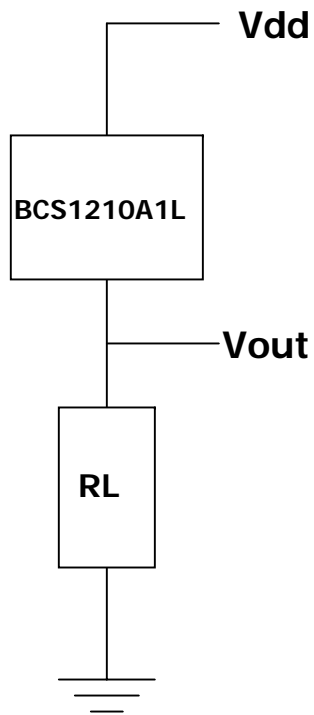


# Optical Sensors [BCS series]

## BCS1210A1L: Output characteristic (Voltage output)

TDK CONFIDENTIAL

Measured circuit

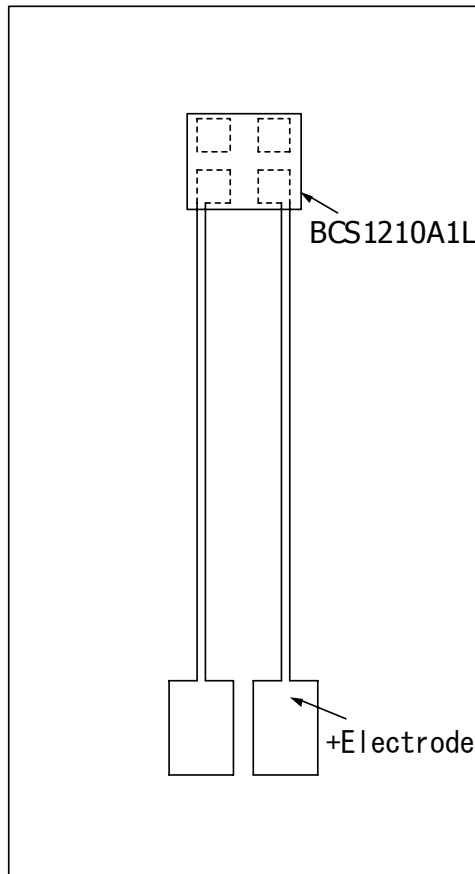




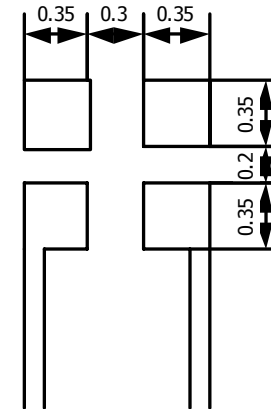
# Optical Sensors [BCS series]

## BCS1210A1L:Test Board

**TDK CONFIDENTIAL**



### Land pattern





BCS1210A1L:Application

TDK CONFIDENTIAL

